

## **Fitting instruction**

### **Tailpipe trim**

**exhaust system**

**Silencer exhaust tip**

Edition 03.2009

## Contents

<b>1</b>	<b>General information</b> .....	<b>1</b>
<b>2</b>	<b>Retrofitting a silencer exhaust tip</b> .....	<b>2</b>
2.1	Cleaning the silencer exhaust .....	2
2.2	Positioning the exhaust tip .....	2
2.3	Pushing on the exhaust tip .....	3
2.4	Checking the alignment of the silencer exhausts .....	3

# 1 General information

Please read and take note of these DANGER, Caution and Note descriptions before carrying out maintenance or repair work.



## **WARNING!**

- ◆ *Texts with this symbol contain information concerning your safety and how you can reduce the risk of serious and fatal injuries.*
- ◆ *Pay special attention to the DANGER symbol. Ensure that you read the relevant texts thoroughly.*



## **Caution!**

- ◆ *Texts with this symbol contain information on how to avoid damage to the vehicle.*
- ◆ *A Caution symbol indicates that failure to follow information can lead to vehicle damage.*



## **Note**

- ◆ *Texts with this symbol contain additional useful information.*
- ◆ *A Note symbol also contains special and additional notes on repair measures and associated information.*

The pages that follow contain all of the information (subject to technical change) needed for installation of the silencer exhaust tip on a standard exhaust system. The instructions provided describe how to fit a silencer exhaust tip. The process for installing a second exhaust tip is the same.

Installation of the silencer exhaust tip can be performed by a qualified workshop. No special tools, test equipment or vehicle-specific literature will be needed to perform the installation. Incorrect installation can result in personal injury or damage to the vehicle, other vehicles or the silencer exhaust tip.

Audi AG will not accept responsibility in the event of failure to comply with these assembly instructions.

## 2 Retrofitting a silencer exhaust tip

### 2.1 Cleaning the silencer exhaust



**WARNING!**

*The attachment area on the silencer exhaust tip must be free from rust and grease!*

- Remove any traces of rust from the silencer exhaust.

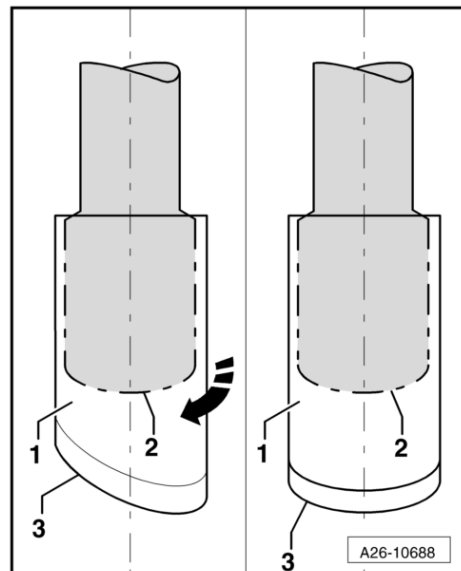
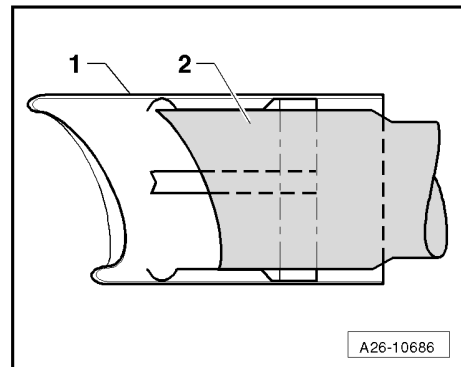
### 2.2 Positioning the exhaust tip



**WARNING!**

*The exhaust tip must only be fitted once during installation!*

- Position the exhaust tip -1- on the silencer exhaust pipe -2- until resting against the spacer springs.
  
- Turn the exhaust tip -1- slightly so that the tip bevel -3- is parallel to the pipe bevel -2-.

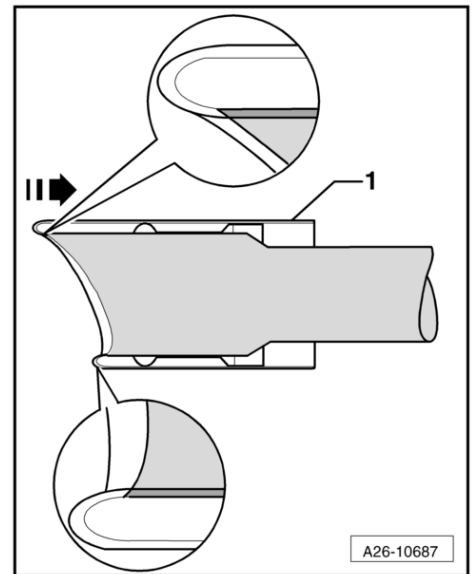


## 2.3 Pushing on the exhaust tip

- Push the exhaust tip -1- into place.

### **Note**

*The exhaust must be positively engaged with the flange on the exhaust tip.*



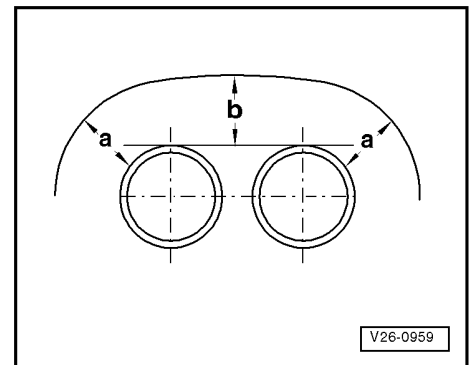
## 2.4 Checking the alignment of the silencer exhausts

**Vehicles with twin exhaust pipes:**

- Check that the silencer exhaust pipes are aligned so that they are equidistant from the bumper sections.
- Distance -a- = distance -b-.

### **Caution!**

*If the pipe is not equidistant, ask a qualified workshop to check and realign the exhaust system where necessary!*



**Vehicles with single exhaust:**

- Check that the (silencer) exhaust pipe is aligned so that it is equidistant from the bumper section.
- Distance -a- = distance -b-.

### **Caution!**

*If the pipe is not equidistant, ask a qualified workshop to check and realign the exhaust system where necessary!*

